

MET 1-PHASE CONTROL AND ISOLATION TRANSFORMER

P: 630VA IN: 240-415VAC OUT: 110-110-20VAC

Single-phase - Control and Isolation Transformers

630 VA

Spring clamp terminals

Isolation class T 60/B

Illustration

Product may differ from Image

Approvals**Input**

Input voltage	240/415 V AC
Input current	2.98 A (240 V AC); 1.71 A (415 V AC)
Short-circuit current	82.3 A (240 V AC); 47.7 A (415 V AC)
Inrush current	75.6 A (240 V AC); 43.4 A (415 V AC)
Frequency	50...60 Hz

Output

Output voltage	110/240 V AC
Output rating	630 VA

General data

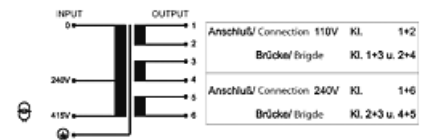
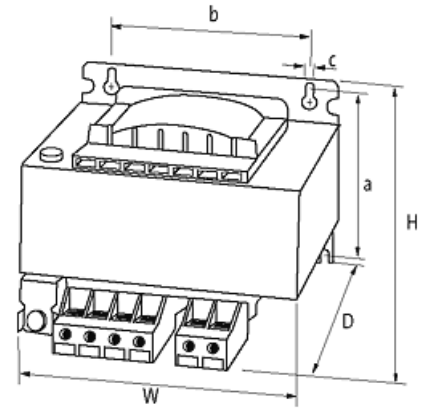
Standards	EN 61558-1, EN 61558-2-4, EN 62041 category 0
Test isolation voltage	4 kV (prim./sec.)
Mounting method	Key-hole mounting
Dimensions H×W×D	129×150×148 mm
Fixing centers a×b×c	107.5×122×7 mm
Drill hole Ø	7×11 mm
Temperature range	-20...+60 °C (storage temperature -40...+80 °C)

Commercial data

country of origin	CZ
-------------------	----

customs tariff number	85043180
EAN	4048879066457
eClass	27031302
Packaging unit	1

Sketch



Product may differ from image